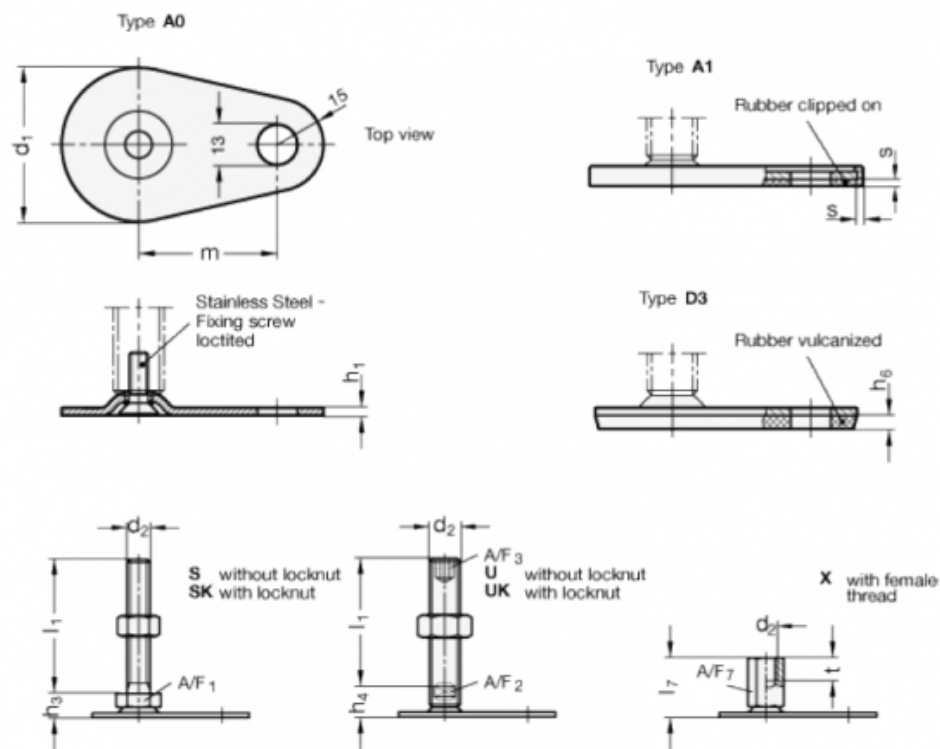


Article number: 204280M2045A1X
 Description: E+G levelling foot
 GN 42-80-M20-45-A1-X
 Note: X With female thread, External hexagon

Measures



A/F7 = 27	t = 20
d1 = 80	
d2 = M20	
h1 = 3	
h6 =	
h7 = 45	
m = 70	
s = 5	